

1 JACKSON STREET
P.O. BOX 184
ESSEX JCT., VT 05453-0184
800-428-3594

FLEX-A-SEAL

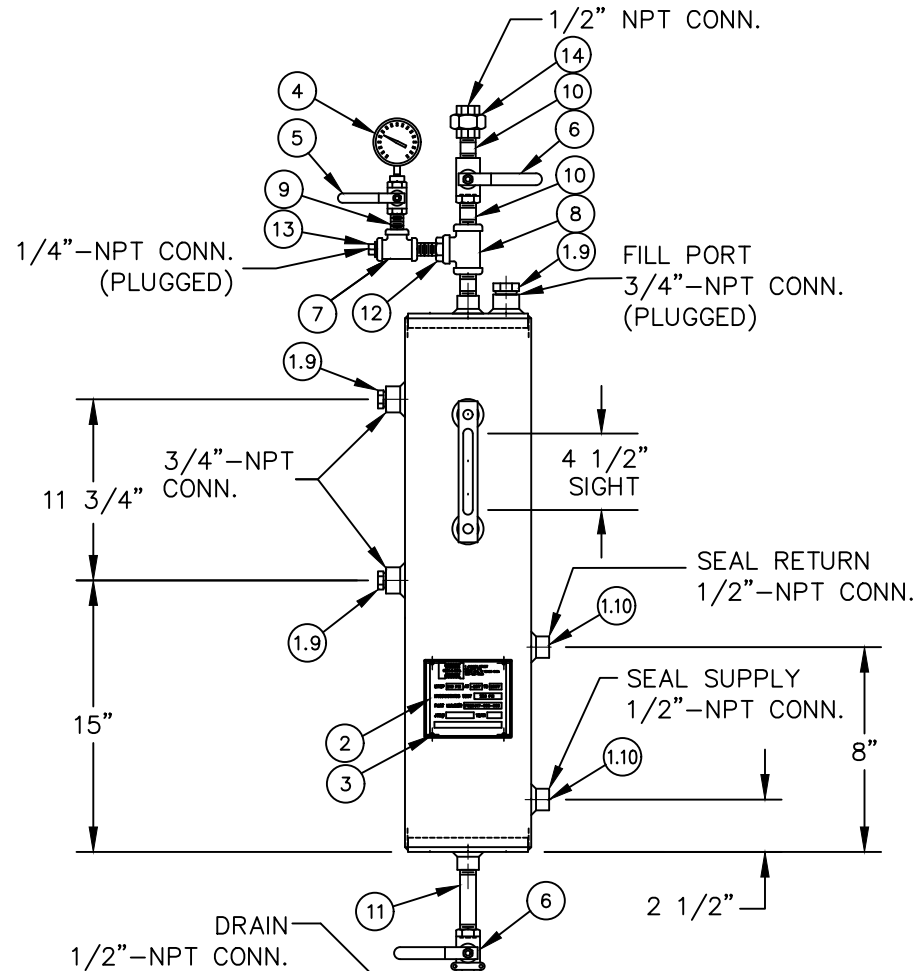
MAWP 219 PSI AT -20°F TO 200°F

HYDROSTATIC TEST 285 PSI

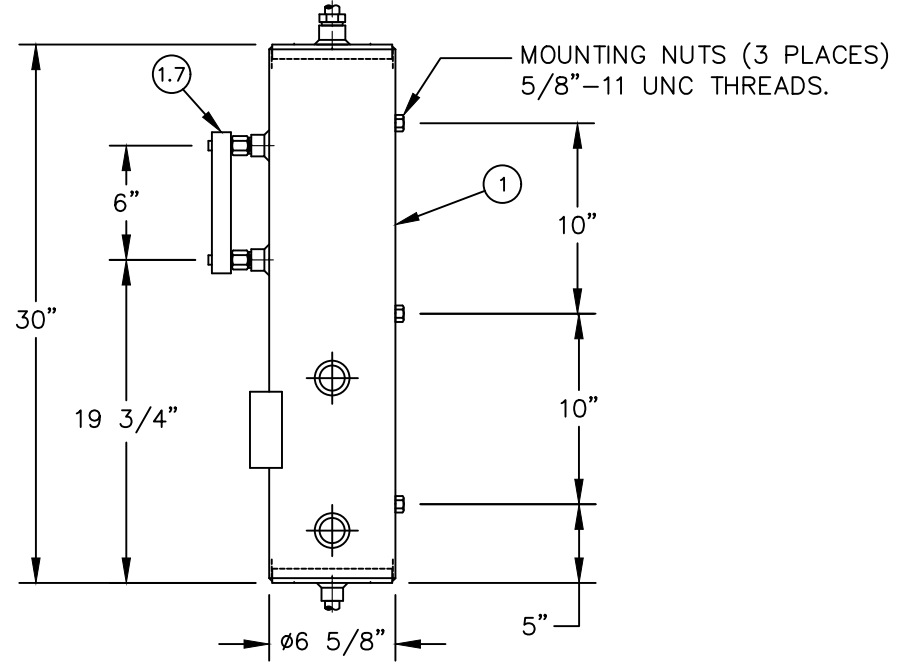
PART NUMBER FS25417-000-005

JOB# _____ YEAR _____

ITEM #1.8, *0 QTY. WAS (2), REMOVED AND PUT BACK INTO INVENTORY.



ITEM	PART NUMBER	DESCRIPTION	MATERIAL	QTY
1	FS25404-000-001	ANSI-LITE BF TANK, PLAIN NO CC	304L S.S.	1
1.7	FS22807-001	LEVEL GAUGE TUBULAR (6" C-C)	BORO GLASS/ALUM./BRASS/BUNA	1
1.8	FS25054-R14-008	1/2" NPT HEX HEAD PLUG	SA182-304L S.S.	*0
1.9	FS25054-R14-012	3/4" NPT HEX HEAD PLUG	SA182-304L S.S.	3
1.10	FS25388-000-008	1/2" HOLLOW TAPERED ROUND PLUG	POLYETHYLENE	2
2	FS22086-R14-002	NAMEPLATE FOR BARRIER FLUID TANKS	304 S.S. WITH CHEMICAL ETCHING	1
3	FS25421-000-001	BLIND RIVET, 1/8" DIA X .275"LG	ALUMINUM	4
4	FS22701-000-001	PRESSURE GAUGE 2 1/2" DIAL, (0-200 PSI)	316 S.S. WETTED	1
5	FS22703-000-002	BALL VALVE, 1/4"-NPT, 600# WOG	BRASS/PTFE/FKM	1
6	FS22703-000-001	BALL VALVE, 1/2"-NPT, 600# WOG	BRASS/PTFE/FKM	2
7	FS22707-R14-002	TEE, 1/4" NPT	304 S.S.	1
8	FS22707-R14-001	TEE, 1/2" NPT	304 S.S.	1
9	FS22705-R14-003	NIPPLE, 1/4" X 2"	304 S.S.	2
10	FS22705-R14-001	NIPPLE, 1/2" X 2"	304 S.S.	3
11	FS22705-R14-002	NIPPLE, 1/2" X 4"	304 S.S.	1
12	FS22706-R14-001	BUSHING, 1/2" X 1/4"	304 S.S.	1
13	FS22808-000-002	1/4-18 NPT SQUARE HEAD PLUG	304 S.S.	1
14	FS23558-000-001	1/8" ORIFICE UNION	304 S.S. / BUNA	1



NOTES:

- 1.) ALL DIMENSION ARE ±1/4", ±1/2" FOR CONNECTIONS, ±2" UNLESS OTHERWISE SPECIFIED.
- 2.) MAWP 219 PSI @ 200° F.
- 3.) VESSEL HYDRO @ 1.3 x MAWP (219 PSI) = 285 PSI.
- 4.) DESIGNED PER ASME SECTION VIII DIV 1, 2017 ED.

ANSI-LITE BF TANK,
4 GAL, NO COOLING COIL,
WITH ORIFICE
ANSI PLAN 7352
API PLAN 52

SCALE: NONE DRAWN BY: DW DATE: 6/4/18

FLEX-A-SEAL, INC.
P.O. BOX 184/ 1 JACKSON ST.
ESSEX JUNCTION, VT 05453
(802) 878-8307

DRAWING NO.: **FS25417-000-005**

REV

JOB#