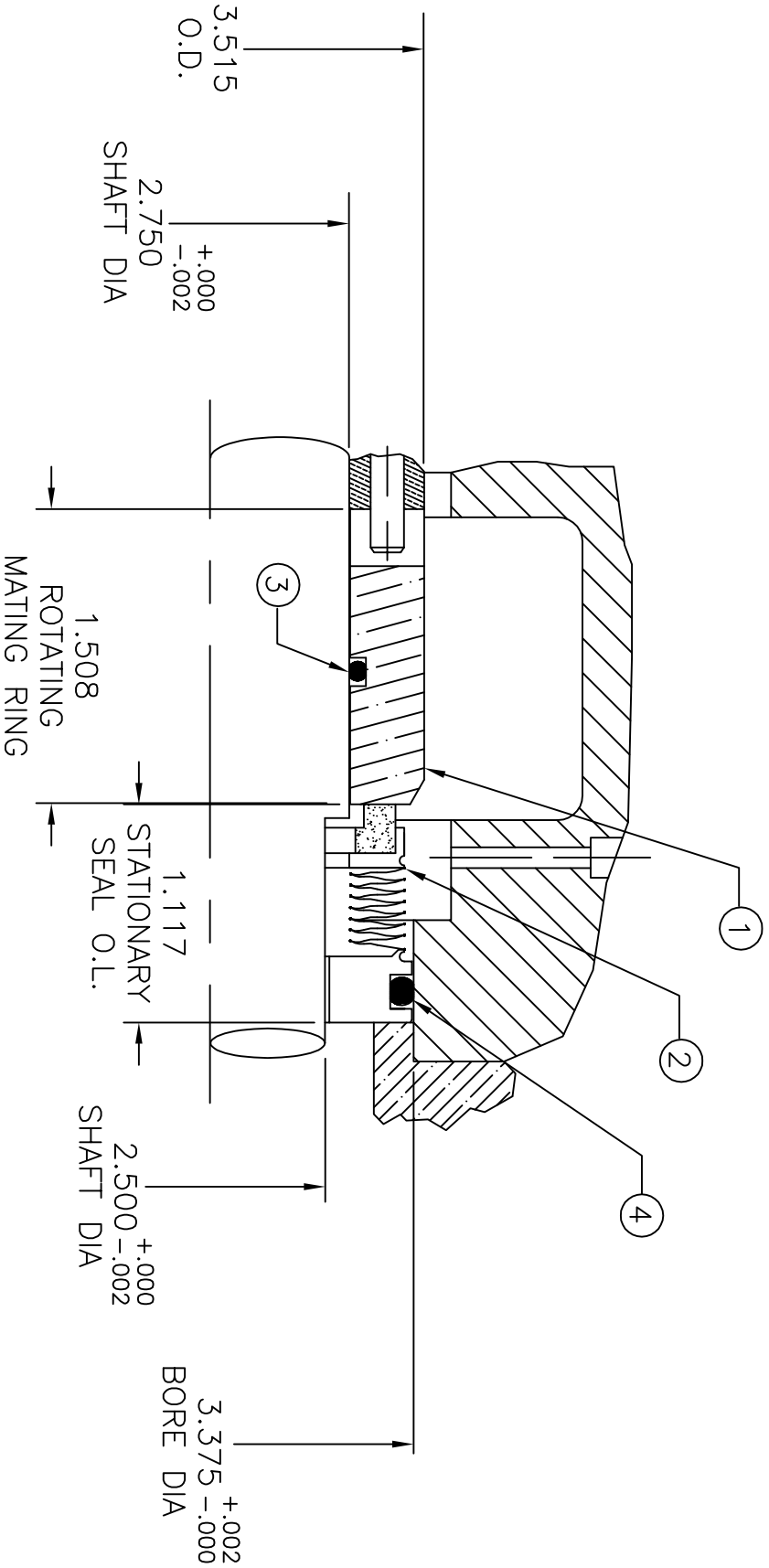


ITEM	PART NAME	PART NUMBER	QTY	MATERIAL
1	ROTATING MATING RING	FS13032	1	17-4 S.S.
2	STATIONARY BELLOWS ASS'Y	FS13031	1	CARBON/316/AM350
3	ROTATING MATING RING PKG.	FS568-148	1	NEOPRENE
4	STATIONARY BELLOWS PKG.	FS568-235	1	NEOPRENE



CUSTOMER:	JOB# DS003-7
LOCATION:	
PRODUCT:	OIL / AMMONIA
TEMP.:	190°F
PRESSURE:	LOW
SPEED:	
SEAL CODE:	

SPECIAL STATIONARY BELLOWS
COMPONENT SEAL FOR
FRICK SCREW COMPRESSOR

SCALE: NONE DRAWN BY: PJC DATE: 4/3/97

FLEX-A-SEAL, INC.
P.O. BOX 184 / 1 JACKSON ST.
ESSEX JUNCTION, VT 05453
(802) 878-8307

DRAWING NO.: **FS50914**

SIZE

REV.