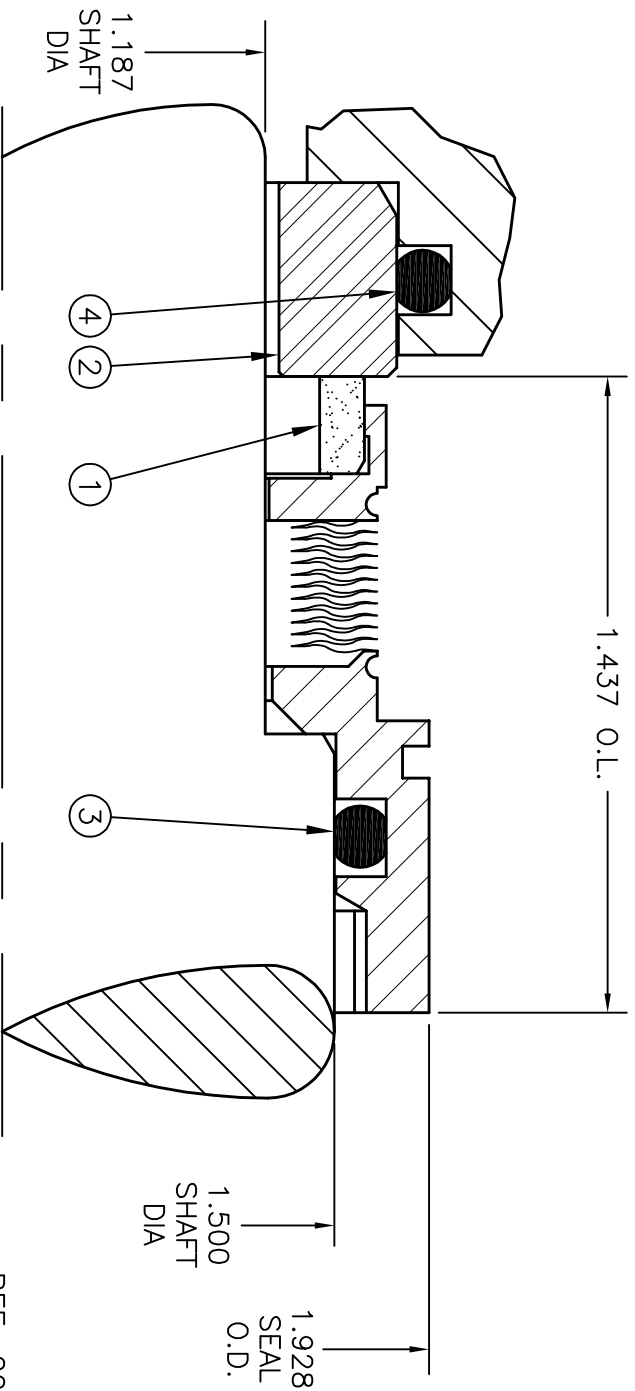
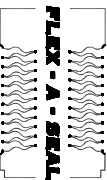


ITEM	PART NAME	PART NUMBER	QTY	MATERIAL
1	ROTATING BELLOWS ASSY	FS16860-19	1	BRONZE/316/AM350/NEOPRENE
2	STATIONARY MATING RING	FS10291-01	1	TUNGSTEN CARBIDE
3	BELLOWS ASSY PKG (PART OF ITEM #1)	FS568-CR-222	1	NEOPRENE
4	STAT. MATING RING PKG.	FS568-CR-224	1	NEOPRENE



REF: 22-1101

		P.O. BOX 184 / 1 JACKSON ST. ESSEX JUNCTION, VT 05453 (802) 878-8307	
CUSTOMER:			
LOCATION:			
PRODUCT:			
TEMP.:		SPEED:	
PRESSURE:			
SEAL CODE: 1940X XX-XXGNX			
JOB#: HS019729			
SCALE: NONE	DRAWN BY: JK	DATE: 6/10/04	
SPECIAL STYLE 40X ROTATING BELLOWS SEAL FOR THERMO KING COMPRESSOR			SIZE
DWG. NO.: <b>FS52629</b>			1 3/16
			REV.